

# ***ANNEXURES***

## Annexure I

## UNIVERSITY OF NORTH BENGAL &amp; NORTH BENGAL MEDICAL COLLEGE

Cellular Immunology Laboratory

Date:

Department of Psychiatry

Sample No.

**INFORMATION SHEET****PATIENT IDENTIFICATION****HOSPITAL RECORD**

Name: \_\_\_\_\_ Hospital: \_\_\_\_\_

S/O, W/O, D/O: \_\_\_\_\_ Regn. No.: \_\_\_\_\_

Age / Sex: \_\_\_\_\_ Caste: \_\_\_\_\_

Tel No. \_\_\_\_\_

Address: \_\_\_\_\_

\_\_\_\_\_ Pin \_\_\_\_\_

**A. CLINICAL DETAILS:**

Past illness : Psychiatric/ Other Medical  
Conditions/ Allergic/history of  
substance abuse

Present illness

Clinical subtype :

Age of onset of the disorder :

Age of severity :

Duration :

Psychiatric Co-morbid conditions :

Substance abuse :

---

Medication status	:
Appetite	:
Sleep	:
Seasonal variation in the disease severity	:
Other	:

## **B. FAMILY HISTORY & OTHER DEMOGRAPHIC VARIABLES**

Family type	:
Occupation	:
Education	:
Marital status	:
Monthly income	:
Living accommodation	:

## **C. GENERAL PHYSICAL EXAMINATION**

## **D. MENTAL STATUS EXAMINATION**

BPRS Scoring.

## **E. LABORATORY INVESTIGATION AND REPORT**

Molecular typing of genes of dopaminergic system	:
Assessment of plasma homovanillic acid	:
Estimation of C-reactive protein	:

## **F. CLINICAL DIAGNOSIS**

## **G. NATURE & DURATION OF TREATMENT**

## **H. DYNAMICS OF TREATMENT**

## **I. OTHER INVESTIGATIONS.**

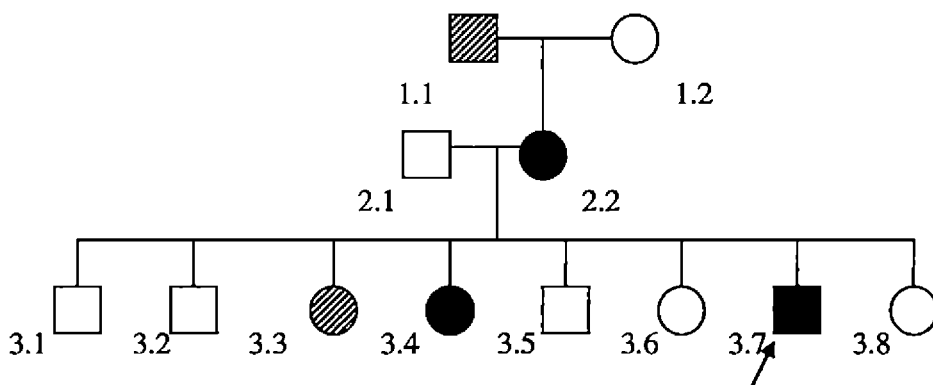
## Annexure II

FAMILY PEDIGREE

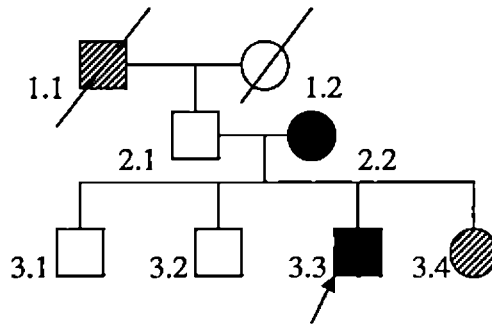
(Only 20 Pedigrees with multiple incidences are shown)

FAMILY -1Symbol Used:

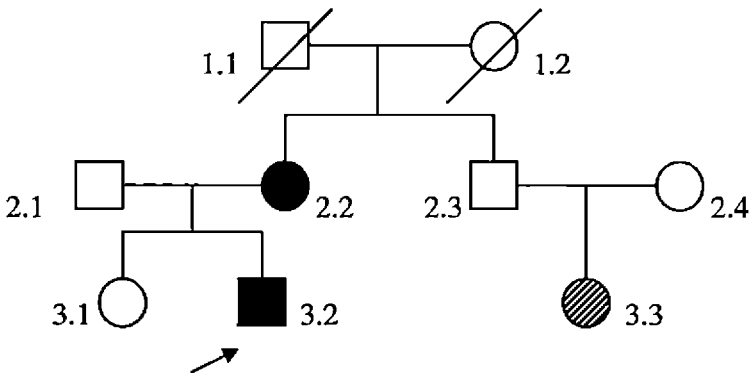
<b>A</b> : Aunt	<b>B</b> : Brother	<b>C</b> : Cousin
<b>D</b> : Daughter	<b>DL</b> : Daughter-in-law	<b>F</b> : Father
<b>GF</b> : Grand Father	<b>GM</b> : Grand Mother	<b>GC</b> : Grand child
<b>H</b> : Husband	<b>M</b> : Mother	<b>N</b> : Normal
<b>P</b> : Patient	<b>PF</b> : Paranoid Feature	<b>S</b> : Sister
<b>So</b> : Son	<b>U</b> : Uncle	<b>W</b> : Wife



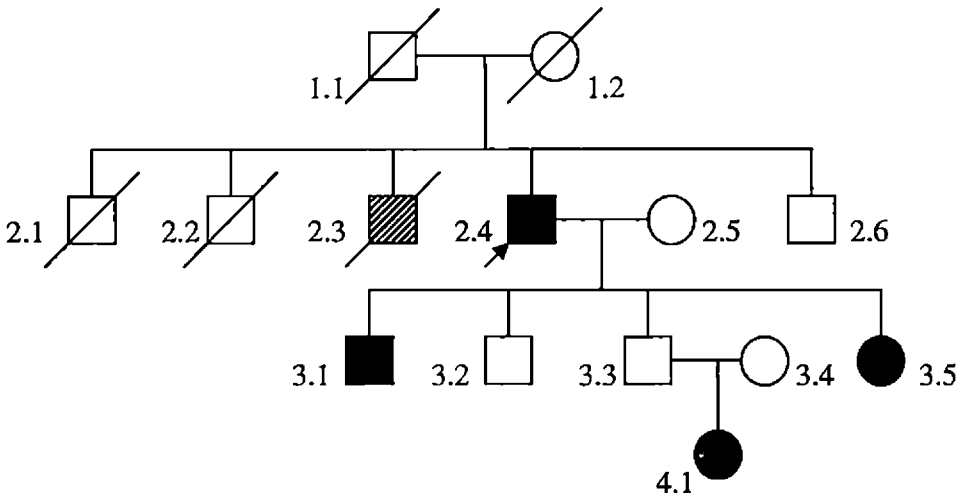
Name	Age / Sex	Relation	Diagnosis
3.7	31 / M	P	DD
1.1	95 / M	GF	PF
1.2	90 / F	GM	N
2.1	70 / M	F	N
2.2	65 / F	M	DD
3.1	45 / M	B	N
3.2	40 / M	B	N
3.3	38 / F	S	PF
3.4	37 / F	S	N
3.5	35 / M	B	N
3.6	33 / F	S	N
3.8	29 / F	S	N

**FAMILY -2**

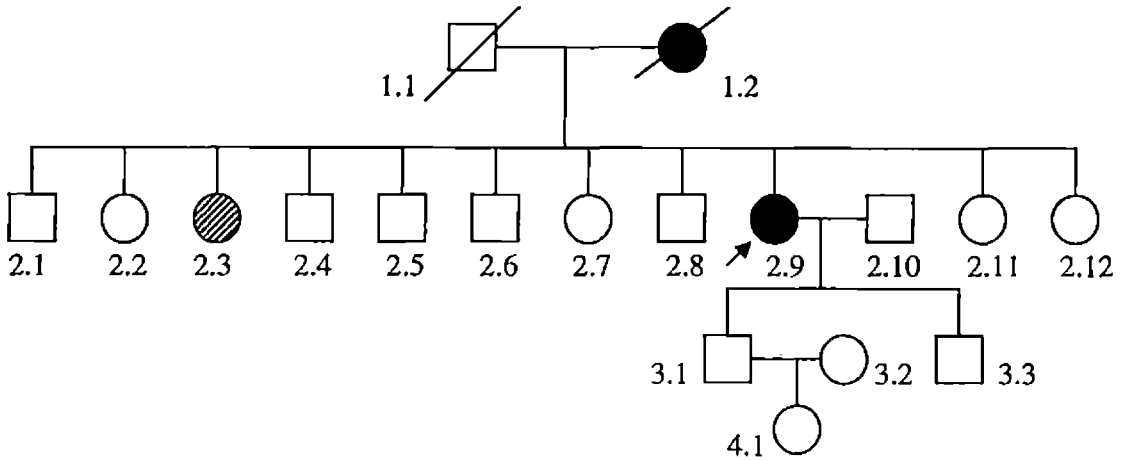
Name	Age / Sex	Relation	Diagnosis
3.3	38 / M	P	DD
1.1	- / M	GF	PF
1.2	- / F	GM	N
2.1	81 / M	F	N
2.2	65 / F	M	DD
3.1	43 / M	B	N
3.2	40 / M	B	N
3.4	38 / F	S	OCD

**FAMILY -3**

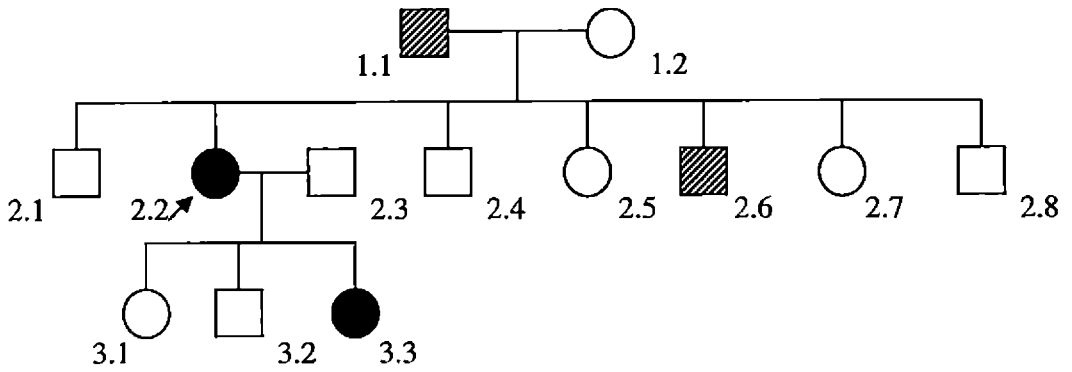
Name	Age / Sex	Relation	Diagnosis
3.2	39 / M	P	DD
1.1	- / M	GF	N
1.2	- / F	GM	N
2.1	70 / M	F	N
2.2	62 / F	M	DD
2.3	58 / M	U	N
2.4	50 / F	Un	N
3.1	42 / M	S	N
3.3	30 / F	C	PF

**FAMILY -4**

Name	Age / Sex	Relation	Diagnosis
2.4	92 / M	P	DD
1.1	-/M	F	N
1.2	-/F	M	N
2.1	-/M	B	N
2.2	-/M	B	N
2.3	-/M	B	PF
2.5	87 / F	W	N
2.6	89 / M	B	N
3.1	65 / M	So	DD
3.2	58 / M	So	N
3.3	55 / M	So	N
3.4	52 / F	DL	N
3.5	50 / F	D	DD
4.1	23 / F	GC	DD

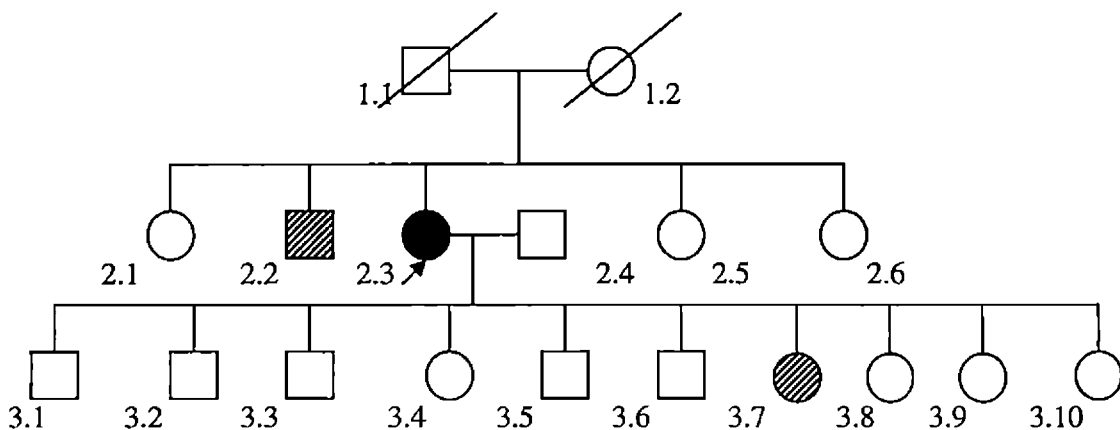
**FAMILY-5**

Name	Age / Sex	Relation	Diagnosis
2.9	56 / F	P	DD
1.1	- / M	F	N
1.2	- / F	M	DD
2.1	41 / M	B	N
2.2	43 / F	S	N
2.3	45 / F	S	Schizophrenia
2.4	47 / M	B	N
2.5	49 / M	B	N
2.6	51 / M	B	N
2.7	53 / F	S	N
2.8	55 / M	B	N
2.10	60 / M	H	N
2.11	54 / F	S	N
2.12	52 / F	S	N
3.1	36 / M	So	N
3.2	30 / F	DL	N
3.3	32 / M	So	N
4.1	4 / F	GC	N

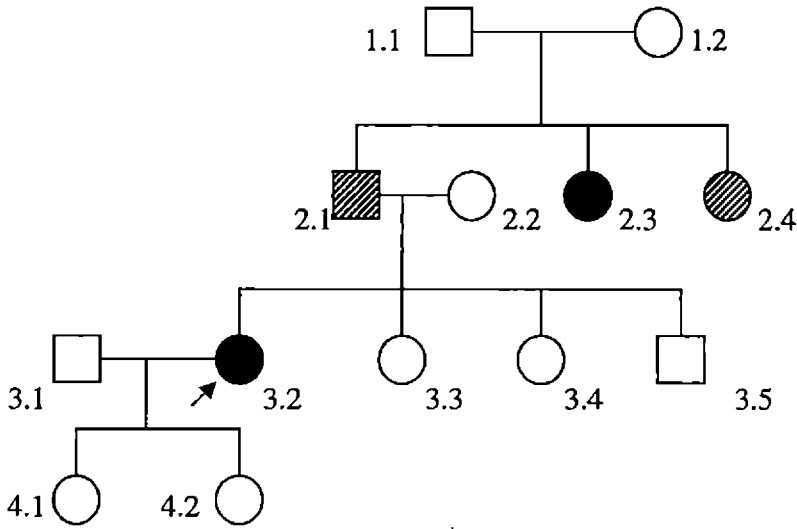
**FAMILY-6**

Name	Age / Sex	Relation	Diagnosis
2.2	48 / F	P	DD
1.1	70 / M	F	Dementia
1.2	64 / F	M	N
2.1	50 / M	B	N
2.3	58 / M	H	N
2.4	46 / M	B	N
2.5	44 / F	B	N
2.6	40 / M	B	Psychosis
2.7	37 / F	B	N
2.8	35 / M	B	N
3.1	29 / F	D	N
3.2	27 / M	So	N
3.3	20 / F	D	DD

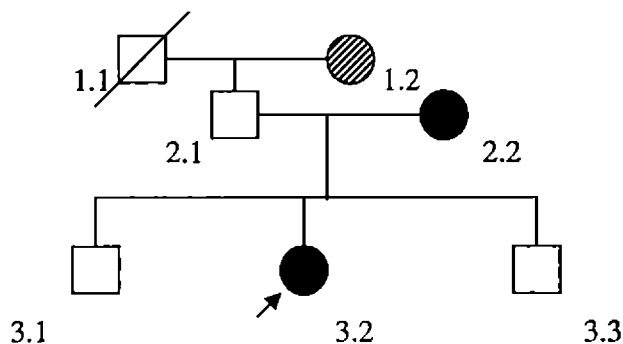


**FAMILY-7**

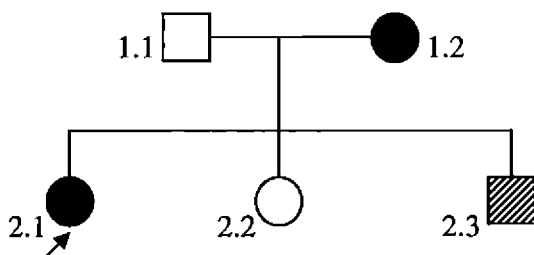
Name	Age / Sex	Relation	Diagnosis
2.3	48 / F	P	DD
1.1	- / M	F	N
1.2	- / F	M	N
2.1	55 / F	B	N
2.2	52 / M	B	PF
2.4	56 / M	H	N
2.5	45 / F	S	N
2.6	42 / F	S	N
3.1	29 / M	So	N
3.2	27 / M	So	N
3.3	25 / M	So	N
3.4	23 / F	D	N
3.5	21 / M	So	N
3.6	19 / M	So	N
3.7	17 / F	D	Depression
3.8	15 / F	D	N
3.9	10 / F	D	N
3.10	8 / F	D	N

**FAMILY-8**

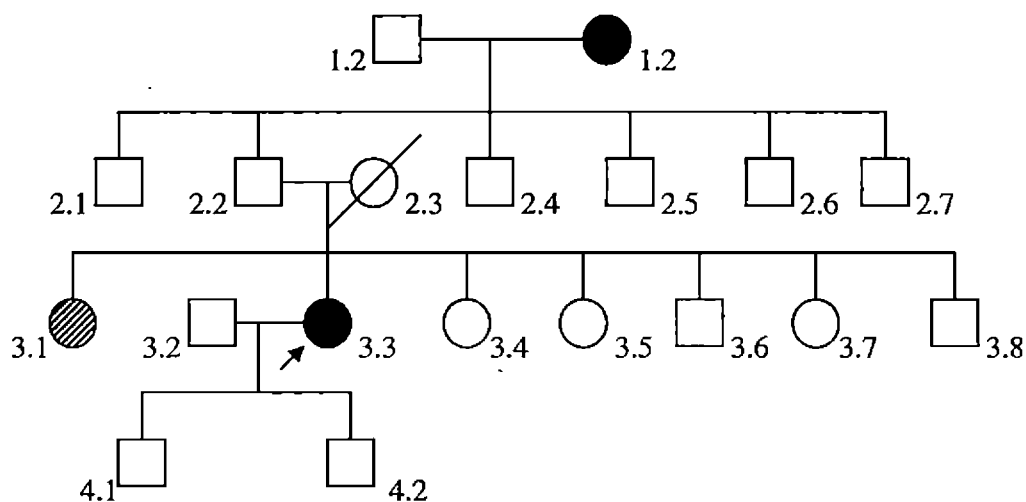
Name	Age / Sex	Relation	Diagnosis
3.2	49 / F	P	DD
1.1	- / M	GF	N
1.2	- / M	GM	N
2.1	82 / M	F	PF
2.2	70 / F	M	N
2.3	75 / F	A	DD
2.4	70 / F	A	Depression
3.1	55 / M	H	N
3.3	45 / F	S	N
3.4	42 / F	S	N
3.5	40 / M	B	N
4.1	23 / F	D	N
4.2	20 / F	D	N

**FAMILY-9**

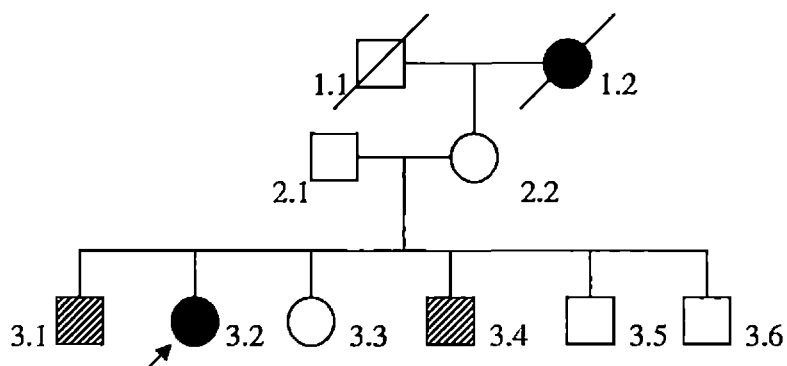
Name	Age / Sex	Relation	Diagnosis
3.2	34 / F	P	DD
1.1	- / M	GF	N
1.2	90 / F	GM	OCD
2.1	75 / M	F	N
2.2	69 / F	M	DD
3.1	36 / M	B	N
3.3	30 / M	B	N

**FAMILY-10**

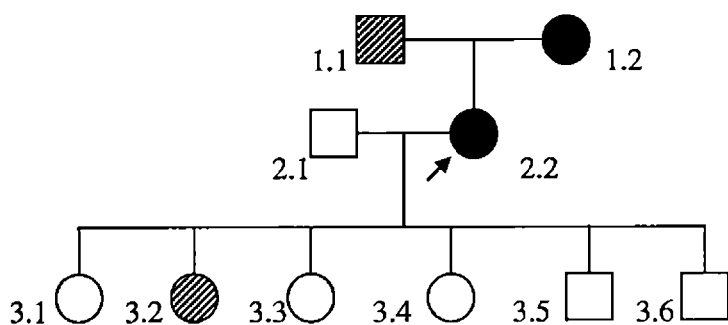
Name	Age / Sex	Relation	Diagnosis
2.1	32 / F	P	DD
1.1	65 / M	F	N
1.2	54 / F	M	DD
2.2	30 / F	S	N
2.3	28 / M	B	Schizophrenia

**FAMILY-11**

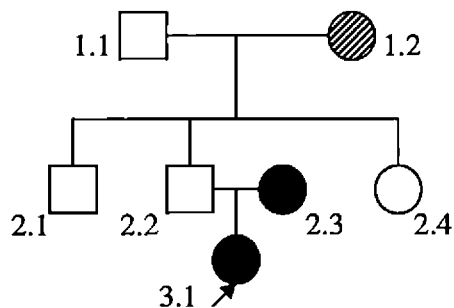
Name	Age / Sex	Relation	Diagnosis
3.3	47 / F	P	DD
1.1	90 / M	GF	N
1.2	87 / F	GM	DD
2.1	70 / M	U	N
2.2	68 / M	F	N
2.3	65 / F	M	N
2.4	62 / M	U	N
2.5	58 / M	U	N
2.6	54 / M	U	N
2.7	52 / M	U	N
3.1	49 / F	S	Psychosis
3.2	52 / M	H	N
3.4	45 / F	S	N
3.5	42 / F	S	N
3.6	40 / M	B	N
3.7	38 / F	S	N
3.8	36 / B	B	N
4.1	25 / M	So	N
4.2	20 / M	So	N

**FAMILY-12**

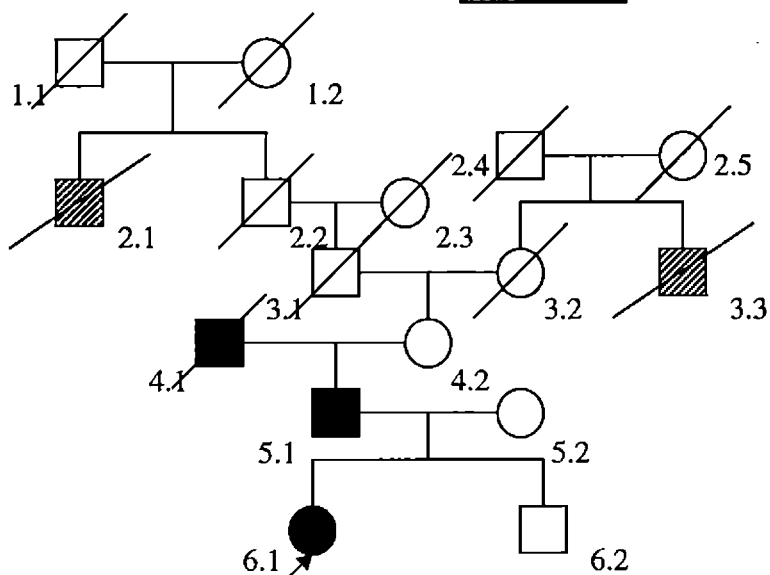
Name	Age / Sex	Relation	Diagnosis
3.2	34 / F	P	DD
1.1	- / M	GF	N
1.2	- / F	GM	DD
2.1	72 / M	F	N
2.2	64 / F	M	N
3.1	36 / M	B	Schizophrenia
3.3	32 / F	S	N
3.4	28 / M	B	Depression
3.5	25 / M	B	N
3.6	22 / M	B	N

**FAMILY-13**

Name	Age / Sex	Relation	Diagnosis
2.2	45 / F	P	DD
1.1	72 / M	F	Dementia
1.2	69 / F	M	DD
2.1	52 / M	H	N
3.1	24 / F	D	N
3.2	22 / F	D	OCD
3.3	20 / F	D	N
3.4	18 / F	D	N
3.5	15 / M	So	N
3.6	12 / M	So	N

**FAMILY-14**

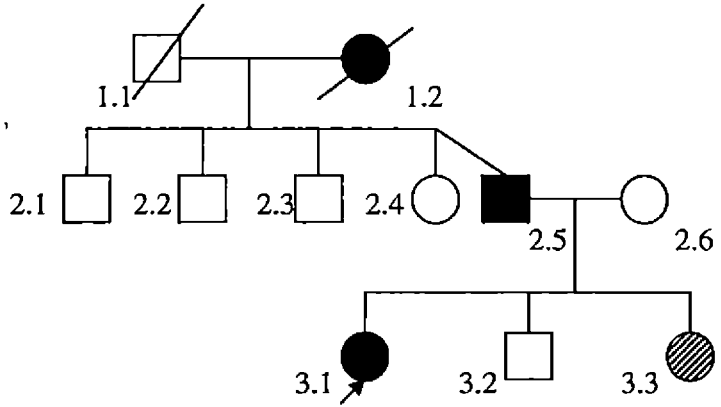
Name	Age / Sex	Relation	Diagnosis
3.1	47 / F	P	P
1.1	95 / M	GF	N
1.2	82 / F	GM	BPD
2.1	79 / M	U	N
2.2	72 / M	F	N
2.3	65 / F	M	DD
2.4	69 / F	A	N

**FAMILY-15**

Name	Age / Sex	Relation	Diagnosis
6.1	37 / F	P	DD
1.1	- / M	GGGGF*	N
1.2	- / F	GGGGM**	N
2.1	- / M	Cousin GGGf	Psychosis
2.2	- / M	GGGM	N
2.3	- / F	GGGF	N
2.4	- / M	GGGF	N
2.5	- / F	GGGM	N
3.1	- / M	GGF	N
3.2	- / F	GGM	N
3.3	- / M	Cousin GF	Depression
4.1	- / M	GF	DD
4.2	95 / F	GM	N
5.1	64 / M	F	DD
5.2	59 / F	M	N
6.2	33 / M	B	N

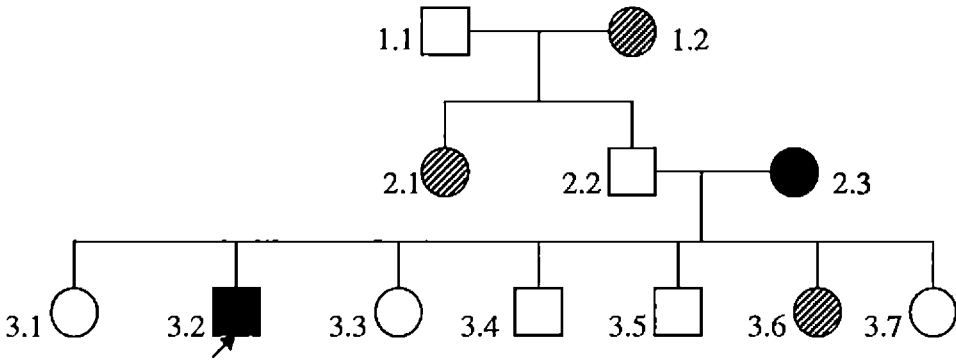
\*GGGGF = Great great great great grandfather

\*\*GGGGM = Great great great great grandmother

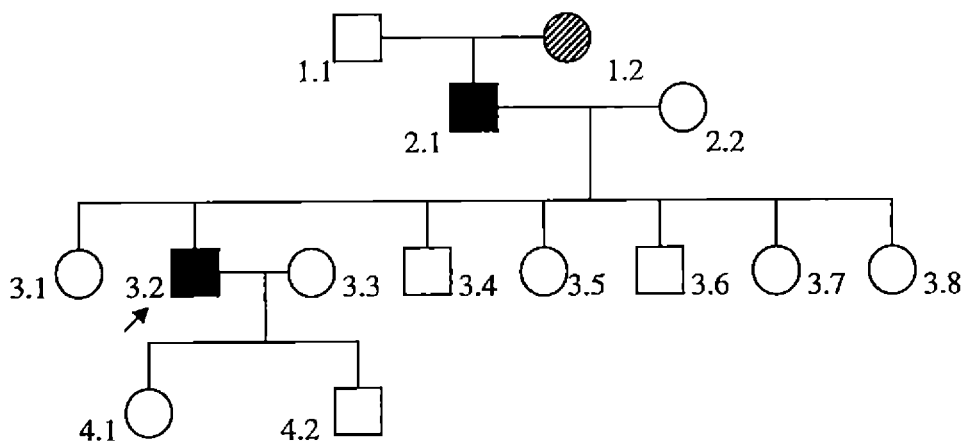
**FAMILY-16**

Name	Age / Sex	Relation	Diagnosis
3.1	31 / F	P	DD
1.1	- / M	GF	N
1.2	- / F	GM	DD
2.1	77 / M	U	N
2.2	74 / M	U	N
2.3	72 / M	U	N
2.4	69 / F	A	N
2.5	67 / M	F	DD
2.6	55 / F	M	N
3.2	28 / M	B	N
3.3	23 / F	S	BPD

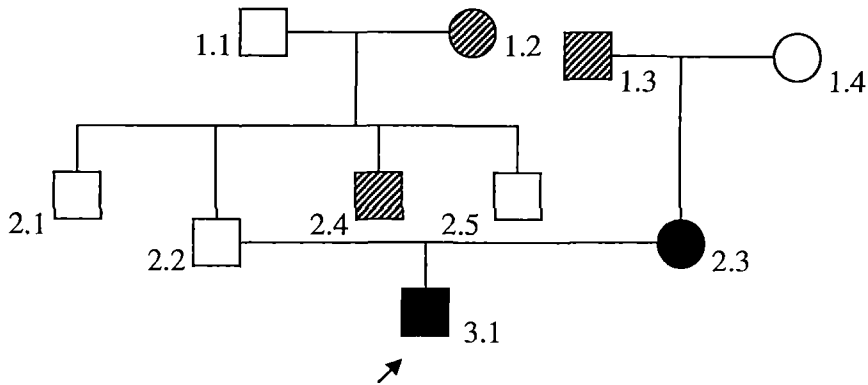


**FAMILY-17**

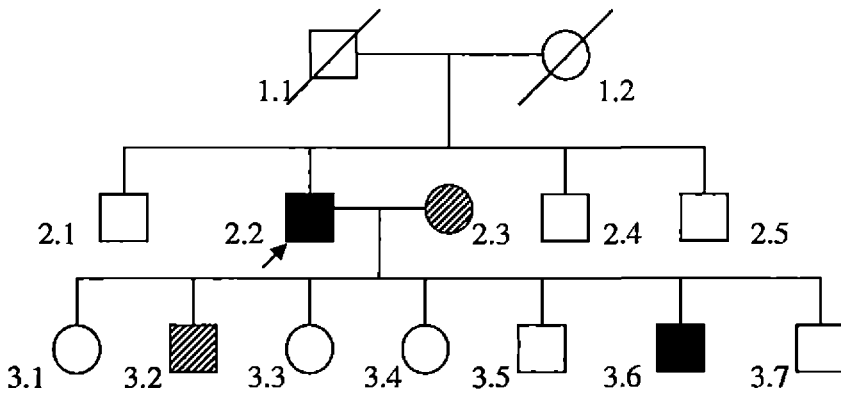
Name	Age / Sex	Relation	Diagnosis
3.2	40 / M	P	DD
1.1	85 / M	GF	N
1.2	82 / F	GM	OCD
2.1	67 / F	A	Schizophrenia
2.2	65 / M	F	N
2.3	58 / F	M	DD
3.1	42 / F	S	N
3.3	37 / F	S	N
3.4	35 / F	B	N
3.5	32 / M	B	N
3.6	28 / F	S	Depression
3.7	25 / F	S	N

**FAMILY-18**

Name	Age / Sex	Relation	Diagnosis
3.2	47 / M	P	DD
1.1	92 / M	GF	N
1.2	89 / F	GM	Psychosis
2.1	69 / M	F	DD
2.2	65 / F	M	N
3.1	49 / F	S	N
3.3	35 / F	W	N
3.4	45 / M	B	N
3.5	42 / F	S	N
3.6	39 / M	B	N
3.7	35 / F	S	N
3.8	32 / F	S	N
4.1	15 / F	D	N
4.2	10 / M	So	N

**FAMILY-19**

Name	Age / Sex	Relation	Diagnosis
3.1	17 / M	P	DD
1.1	62 / M	GF	N
1.2	60 / F	GM	PF
1.3	65 / M	GF	Dementia
1.4	58 / F	GM	N
2.1	42 / M	U	N
2.2	39 / M	F	N
2.3	37 / F	M	DD
2.4	35 / M	U	PF
2.5	30 M	U	N

**FAMILY-20**

Name	Age / Sex	Relation	Diagnosis
2.2	65 / M	P	DD
1.1	- / M	F	N
1.2	- / F	M	N
2.1	67 / M	B	N
2.3	59 / F	W	OCD
2.4	62 / M	B	N
2.5	60 / M	B	N
3.1	40 / F	D	N
3.2	38 / M	So	Schizophrenia
3.3	35 / F	D	N
3.4	32 / F	D	N
3.5	30 / M	So	N
3.6	28 / M	So	DD
3.7	25 / M	So	N

---

**Annexure III**

1. **Heparin (Preservative free) (Centron Research Laboratory, Bombay)**  
-500 I.U. per ml.
2. **20 X SSC (pH 8.0)**  
NaCl -175.3gm  
Na-citrate-88.2gm  
Dissolve in 1000ml distilled water, adjust to pH 8.0 with NaOH.
3. **HSB (High Salt Buffer) pH 7.6**  
10mM Tris HCl  
10mM KCl  
10mM MgCl<sub>2</sub>  
0.4M NaCl  
2mM EDTA
4. **Proteinase –K solution**  
Dissolve 100mg Proteinase-K in 10ml of dH<sub>2</sub>O  
- aliquote into 200µl in microfuge tubes and store in -20°C.
5. **10% SDS**  
At the final concentration of 0.55 i.e., 5mg/ml of sample.
6. **50mM KCl**  
3.728 gm of KCl in 1000ml. of dH<sub>2</sub>O.
7. **4M NaCl**  
116.9 gm in 500ml of dH<sub>2</sub>O.
8. **PC (Phenol Chloroform)**  
4 part phenol + 1 part Chloroform. pH of phenol should be adjusted to 8.5-9.0 by Tris HCl
9. **Deoxyribonucleotide Triphosphate (dNTPs) ( New England Biolabs, UK)**  
The dNTPs are the monomers for DNA polymer consisting of dATP, dCTP, dGTP and dTTP. The dNTPs are used at saturating concentration in PCR amplification.
10. **PCR buffer with Magnesium Chloride (Bangalore Genei, India)**  
The PCR buffer is optimized for use in PCR experiments. Generally, the PCR buffer is supplied along with Taq polymerase by the commercial companies. We use PCR buffer from Bangalore Genei, India which has 10mM Tris-HCl(pH 9.0), 1.5mM MgCl<sub>2</sub>, 50mM KCl and 0.01% gelatin.
11. **Taq DNA polymerase (Bangalore Genei, India)**

**12. Ethidium Bromide (Gibco BRL, USA)**

0.5 $\mu$ g/ml TBE buffer.

Ethidium bromide is a suspected carcinogen and should be handled with great care. Always wear gloves and dispose of used solutions and gel appropriately.

**13. Gel Loading Solution**

0.05% Bromophenol blue	50mg
4.0% Sucrose	20.0g
0.1MEDTA	1.46g
5% SDS	250 mg

Dissolve EDTA in 25ml of dH<sub>2</sub>O by adjusting the pH to 8.0 with 5N NaOH and add bromophenol blue. Once dissolved add sucrose and finally SDS. Adjust the final volume to 50ml and stir at 80°C to make the solution viscous. 1 volume of gel loading solution is optimal to 1-4 volumes of sample.

Bromophenol blue serves as the tracking dye while sucrose adds density and facilitates sample loading. EDTA is included to terminate the action of intrinsic DNAase activity require divalent cataions. SDS helps to dissociate DNA-protein complexes which can otherwise interfere with electrophoresis.

**14. 10X TBE buffer**

0.9 M TRIS	109.06 gm
0.02 M EDTA	7.44gm
0.9M Boric Acid	5.647gm

Dissolve in 1 lit dH<sub>2</sub>O and store at 4°C. It is diluted 10 times with dH<sub>2</sub>O to make 1X solution.

**15. TE Solution**

1mM TRIS	121.16 mg
0.1mM EDTA	37.224mg

Dissolve in 950ml dH<sub>2</sub>O and adjust to pH 7.5. Make final volume to 1 lit with dH<sub>2</sub>O. A fresh solution should be used.

**16. Mobile phase for HPLC**

EDTA	50 $\mu$ M/L
Heptane sulphonic Acid	1.82 m M/L
Citric Acid	0.05mol/L
Disodium phosphate	0.02 mol/L

Mix 500 ml of citric acid and 250 ml of disodium phosphate and to this add 372.24gm EDTA and 32.04ml heptane sulphonic acid. Make the solution 1000ml by adding methanol.

## Annexure -IV

SCID-I (DSM-IV<sup>TR</sup>) Version 2.0 (FEB. 1996 FINAL) Screening Questions Screening

## SCID SCREENING MODULE (OPTIONAL)

Now I want to ask you some more specific questions about problems you may have had. We'll go into in to more detail about them later.

**RESPOND TO POSITIVE RESPONSES WITH, we we'll talk more about that later.**

- |    |   |                                 |                                    |
|----|---|---------------------------------|------------------------------------|
| 1. | Has there been any time in your Life when you had five or more drinks (beer, wine or liquor) on one occasion?                                     | 1<br>CIRCLE<br>"NO" ON<br>E. 1  | 2 3<br>CIRCLE<br>"YES" ON<br>E. 2  |
| 2. | Have you ever used street drugs?  | 1<br>CIRCLE<br>"NO" ON<br>E. 10 | 2 3<br>CIRCLE<br>"YES" ON<br>E. 10 |
| 3. | Have you ever gotten hooked on a Prescribed medicine or taken a lot More of it than you were supposed to?   | 1<br>CIRCLE<br>"NO" ON<br>E. 10 | 2 3<br>CIRCLE<br>"YES" ON<br>E. 10 |
| 4. | Have you ever had a panic attack when you suddenly felt frightened or anxious or suddenly develop a lot of physical symptoms?                     | 1<br>CIRCLE<br>"NO" ON<br>F. 1  | 2 3<br>CIRCLE<br>"YES" ON<br>F. 1  |
| 5. | Were you ever afraid of going out of the house alone, being in crowds, standing in a line or traveling on buses or trains ?                       | 1<br>CIRCLE<br>"NO" ON<br>F.7   | 2 3<br>CIRCLE<br>"YES" ON<br>F.7   |
| 6. | Is there anything that you have been afraid to do or felt uncomfortable doing in front of other people like speaking, eating or writing?          | 1<br>CIRCLE<br>"NO" ON<br>F.11  | 2 3<br>CIRCLE<br>"YES" ON<br>F.11  |
| 7. | Are there any other things that you have been especially afraid of, like flying, seeing blood, getting a shot, heights, closed places, or certain | 1<br>CIRCLE<br>"NO" ON<br>F.16  | 2 3<br>CIRCLE<br>"YES" ON<br>F.16  |

kinds of animals or insects?

- |     | 1  | 2   | 3   |
|-----|--|---|---|
| 8.  | Have you ever been bothered by thoughts that didn't make any sense and kept coming back to you even when you tried not to have them?   | 1<br><input type="checkbox"/> CIRCLE<br><input type="checkbox"/> "NO" ON<br><input type="checkbox"/> F.20 | 2    3<br><input type="checkbox"/> CIRCLE<br><input type="checkbox"/> "YES" ON<br><input type="checkbox"/> F.20 |
| 9.  | Was there ever anything that you had to do over and over again and couldn't resist doing, like washing your hands again and again, counting upto a certain number or checking something several times to make sure that you'd done it right? | 1<br><input type="checkbox"/> CIRCLE<br><input type="checkbox"/> "NO" ON<br><input type="checkbox"/> F.21 | 2    3<br><input type="checkbox"/> CIRCLE<br><input type="checkbox"/> "YES" ON<br><input type="checkbox"/> F.21 |
| 10. | In the last six months, have you been particularly nervous or anxious?   | 1<br><input type="checkbox"/> CIRCLE<br><input type="checkbox"/> "NO" ON<br><input type="checkbox"/> F.31 | 2    3<br><input type="checkbox"/> CIRCLE<br><input type="checkbox"/> "YES" ON<br><input type="checkbox"/> F.31 |
| 11. | Have you ever had a time when you weighed much less than other people thought you ought to weight?   | 1<br><input type="checkbox"/> CIRCLE<br><input type="checkbox"/> "NO" ON<br><input type="checkbox"/> H.1  | 2    3<br><input type="checkbox"/> CIRCLE<br><input type="checkbox"/> "YES" ON<br><input type="checkbox"/> H.1  |
| 12. | Have you often had times when Your eating was out of control?  | 1<br><input type="checkbox"/> CIRCLE<br><input type="checkbox"/> "NO" ON<br><input type="checkbox"/> F.21 | 2    3<br><input type="checkbox"/> CIRCLE<br><input type="checkbox"/> "YES" ON<br><input type="checkbox"/> F.21 |

1=absent or false    2= subthreshold    3= threshold or true



Rater \_\_\_\_\_ Date \_\_\_\_\_ Pt. Study No. \_\_\_\_\_

## SCID RATING DATA SHEET

### A1. CURRENT MAJOR DEPRESSIVE EPISODE

Page A-5

<p><u>Page A-1</u></p> <p>A. In the same 2 week period</p> <p>1. Depressed Mood : ? 1 2 3</p> <p>2. Diminished interest/ pleasure ? 1 2 3</p> <p><u>Page A-2</u></p> <p>3. Weight loss/ Gain; Decreased or increased appetite: ? 1 2 3</p> <p>4. Insomnia / Hypersomnia ? 1 2 3</p> <p>5. Agitation/ Retardation ? 1 2 3</p> <p>6. Fatigue / Loss of Energy ? 1 2 3</p> <p><u>Page A-3</u></p> <p>7. Worthlessness/ excessive or inappropriate guilt; ? 1 2 3</p> <p>8. Diminished concentration/ ability to think or indecisiveness ? 1 2 3</p> <p>9. Thoughts of Death/ Suicide attempt or plan ? 1 2 3</p> <p>Five of above nine "A" Criteria ="3"; At least one of these is 1 or 2 1 3</p> <p><u>Page A-4</u></p> <p>C. Clinically Significant distress or impairment ? 1 2 3</p> <p>D. Not due to a substance or A GMC (general Medical Condition) ? 1 3</p>	<p>E. If during bereavement Symptoms&gt;2 months,OR marked functional impairment, morbid preoccupation with Worthlessness, suicidal ideation psychomotor retardation.</p> <p>Not Breavement : 1 3</p> <p>Criteria A,C,D&amp;E are coded "3" 1 3</p> <p><b>MAJOR DEPRESSIVE EPISODE</b></p> <p>Total number of Episodes code 99 if too numerous or indistinct.</p> <p style="text-align: right;"><u>Page A-6</u></p> <p><u>CMDE-Specifiers</u></p> <p><u>With Postpartum Onset</u></p> <p>If onset within 4 weeks of postpartum ? 1 3</p> <p><u>With Catatonic features</u></p> <p>1. Motoric immobility ? 1 2 3</p> <p>2. Excessive motor activity ? 1 2 3</p> <p>3. Extreme negativism/ mutism ? 1 2 3</p> <p>4. Peculiarities of voluntary movements ? 1 2 3</p> <p style="text-align: right;"><u>Page-A7</u></p> <p>5. Echolalia / Echopraxia ? 1 2 3</p> <p>At least 2 items coded "3" 1 3</p>
---	--

Describe, if so:

\_\_\_\_\_

\_\_\_\_\_

? = inadequate information; 1 = absent or false; 2= subthreshold; 3= threshold or true;

SCID DATA SHEET: Rater \_\_\_\_\_

Pt. Study No. \_\_\_\_\_

Page: B/C-1Page: B/C-3**B. PSYCHOTIC SCREENING & ASSOCIATED SYMPTOMS**

Delusion of reference	? 1 2 3	Auditory Hallucinations:	? 1 2 3
	<u>Page B/C-2</u>	Visual Hallucinations:	? 1 2 3
Persecutory delusion	? 1 2 3		<u>Page B/C-4</u>
Grandiose delusions	? 1 2 3	Tactile Hallucinations	? 1 2 3
Somatic delusions	? 1 2 3	Other Hallucinations	? 1 2 3
Other Hallucinations	? 1 2 3	Check if :	
Check if :		Gustatory	-----
Religious delusions	-----	Olfactory	-----
Delusions of guilt	-----	Any item coded "3"	? 1 3
Jealous delusions	-----	Psychotic symptoms occur At times other than during mood syndromes	? 1 3
Erotomanic delusions	-----		

? = inadequate information; 1 = absent or false; 2= subthreshold; 3= threshold or true;

Annexure V**BRIEF PSYCHIATRIC RATING SCALE**

Symptoms	Initial	7 <sup>th</sup> Week	13 <sup>th</sup> Week
Somatic Anxiety			
Anxiety (Psychic)			
Emotional withdrawal			
Conceptual Disorganization			
Self-depression & guilt feelings			
Anxiety(Somatic)			
Specific Motor Disturbances			
Exaggerated Self-esteem			
Lowered mood			
Hostility			
Suspiciousness			
Hallucinatory Behaviour			
Decreased Psychomotor Activity			
Uncooperativeness			
Blunted or Inappropriate Affect			
Increased Psychomotor Activity			
Disorientation and Confusion			

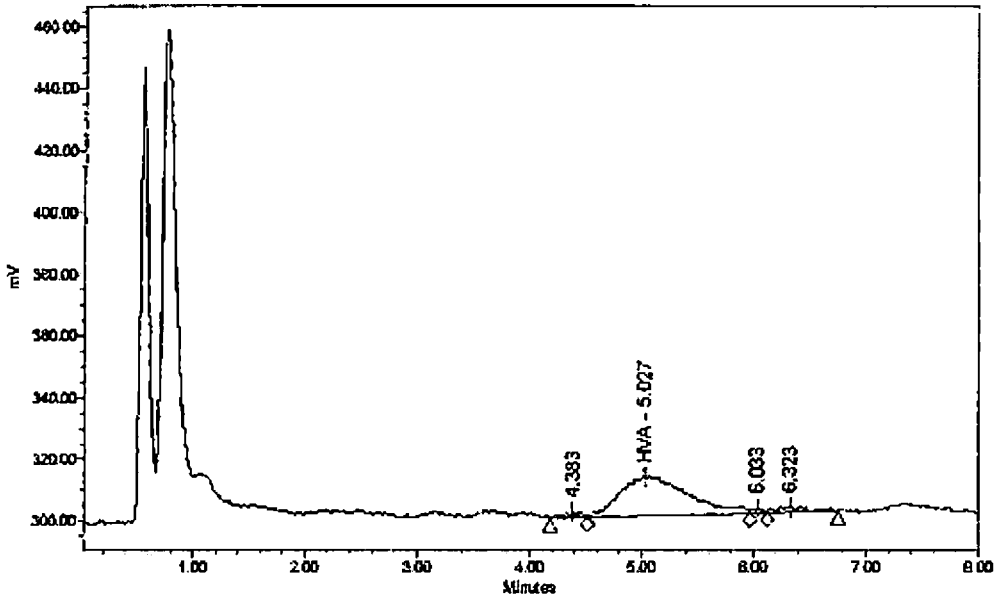
**Annexure-VI**

Current Date 4/28/08

1 of 1

**Project Name : Analysis of HVA in blood plasma.  
ECD\_PROJECT****Sample Information**

SampleName	HVA - Std(50 ng/ml)	Sample Type	Standard
Vial	1	Date Acquired	3/18/08 4:31:53 PM
Injection	2	Acq Method Set	HVA
Injection Volume	20.00 ul	Processing Method	HVA 18 03 08
Channel	SATIN	Date Processed	3/18/08 5:15:51 PM
Run Time	8.0 Minutes		

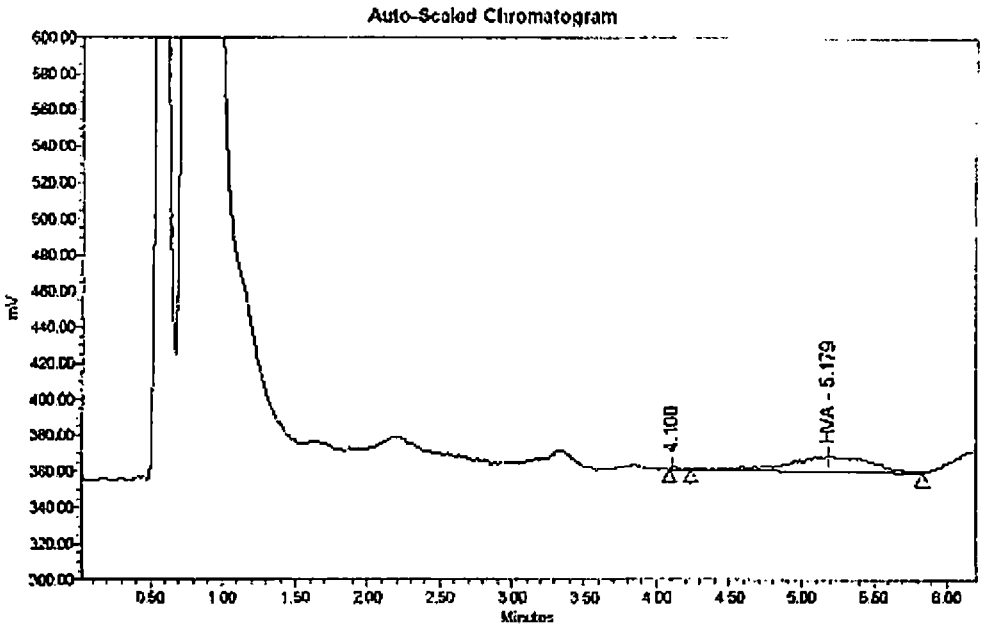
**Auto-Scaled Chromatogram****Peak Results**

Name	RT	Area	Height	Amount	Units
1	4.383	22065	1788		
2	HVA	543666	12644	50.000	ng/ml
3	6.033	10031	1733		
4	6.323	34221	2001		

**Sample-1**

Sample Name - DD1  
 Vial - 1  
 Injection - 3  
 Injection volume- 20µl.  
 Channel- SATIN  
 Run time- 7 mins

Sample type- Organic solution  
 Date acquired- 20/3/08 8:47am  
 Acq method set- HVA  
 Processing method- HVA  
 Date Processed- 20/3/08



Peak Results

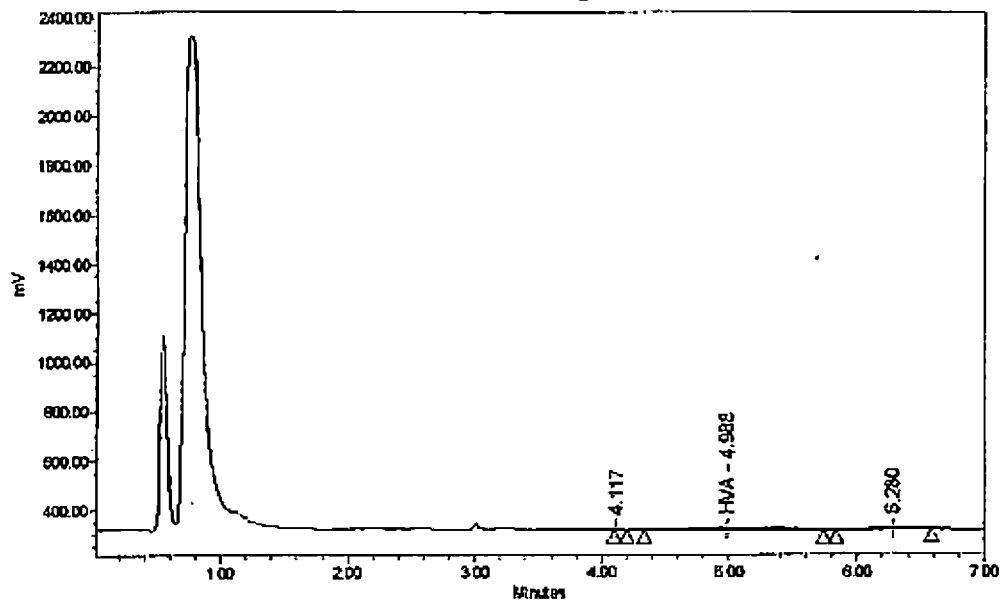
RT	Name	Area	Height	Amount	Units
4.100		7878	1670		
5.179	HVA	351178	9948	32.297	ng/ml

Sample-2

Sample Name - DD2  
 Vial - 1  
 Injection - 4  
 Injection volume- 20µl.  
 Channel- SATIN  
 Run time- 7 mins

Sample type- Organic solution  
 Date acquired- 20/3/08 9:47am  
 Acq method set- HVA  
 Processing method- HVA  
 Date Processed- 20/3/08

Auto-Scaled Chromatogram

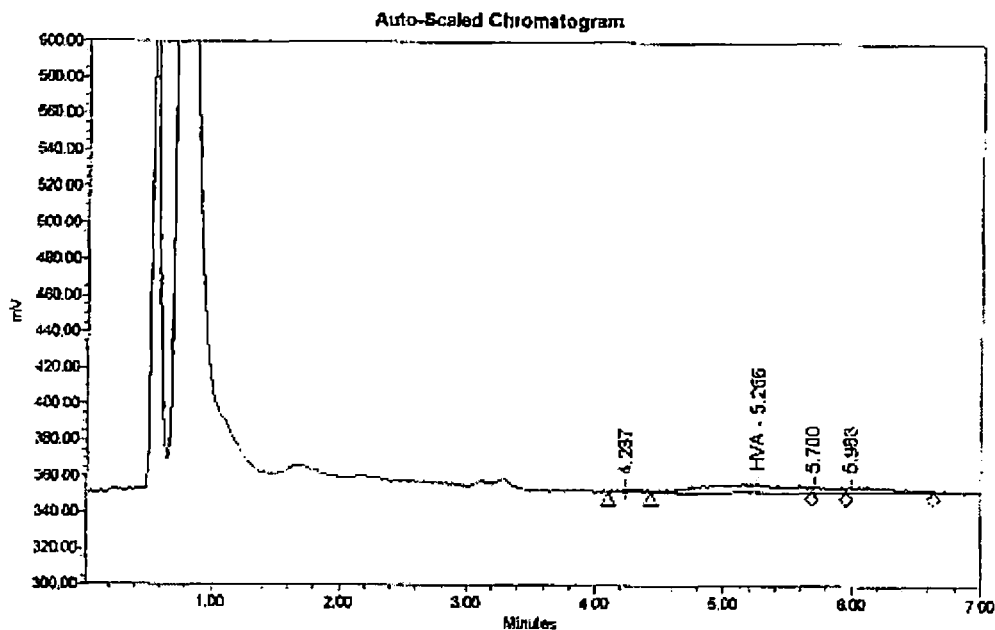


Peak Results

Peak	Name	RT	Area	Height	Amount	Units
1		4.117	3823	595		
2	HVA	4.988	248714	5772	22.966	ng/ml
3		6.280	87235	3311		

Sample Name - DD3  
 Vial - 1  
 Injection - 5  
 Injection volume- 20 $\mu$ l.  
 Channel- SATIN  
 Run time- 7 mins

Sample type- Organic solution  
 Date acquired- 21/3/08 7:47am  
 Acq method set- HVA  
 Processing method- HVA  
 Date Processed- 21/3/08



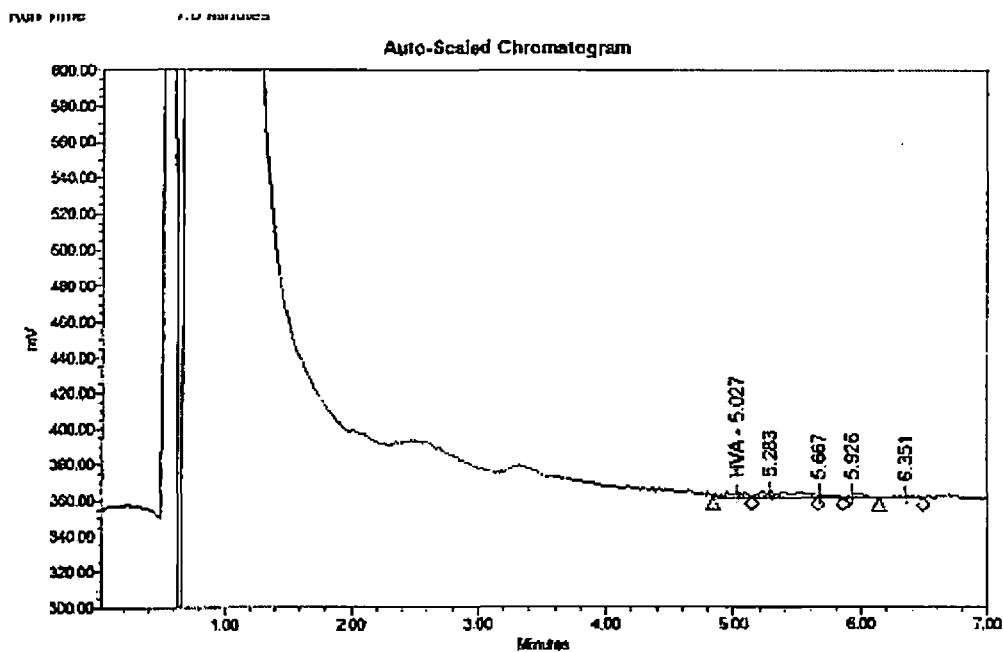
Peak Results

Peak	Name	RT	Area	Height	Amount	Units
1		4.237	21774	1765		
2	HVA	5.266	226023	4669	20.787	ng/ml
3		5.700	39824	3377		
4		6.983	78564	3115		

Sample-4

Sample Name - Col  
 Vial - 1  
 Injection - 6  
 Injection volume- 20µl.  
 Channel- SATIN  
 Run time- 7 mins

Sample type- Organic solution  
 Date acquired- 22/3/08 10:15am  
 Acq method set- HVA  
 Processing method- HVA  
 Date Processed- 22/3/08



Peak Results

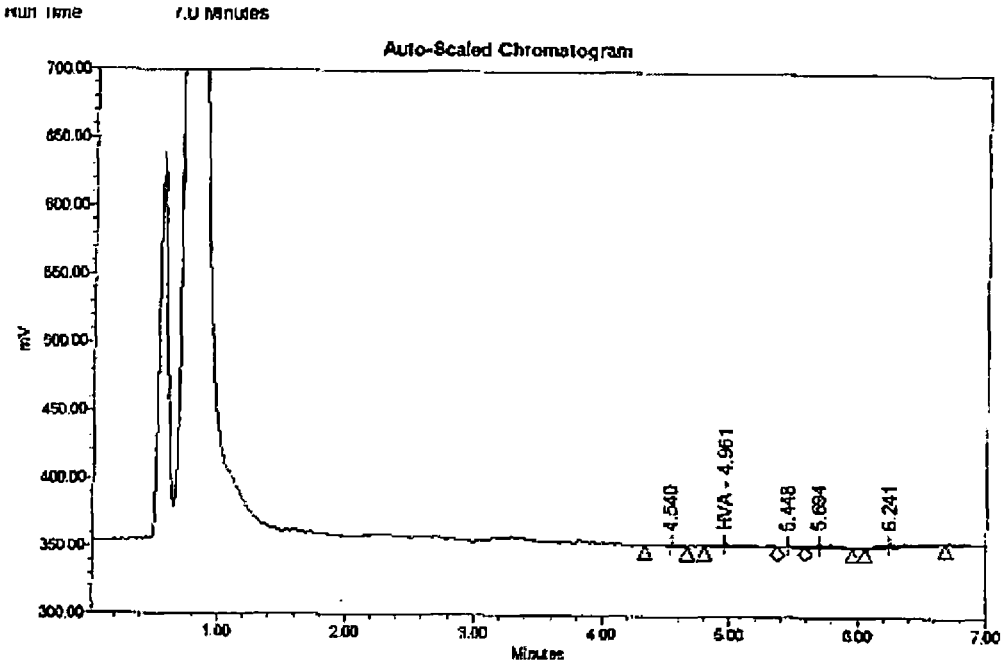
Peak	Name	RT	Area	Height	Amount	Units
1	HVA	5.027	29638	2358	2.718	ng/ml
2		5.283	88892	2878		
3		5.667	15221	1842		
4		5.926	23137	2426		
5		6.351	21182	1278		

Sample-5



Sample Name - Co2  
 Vial - 1  
 Injection - 8  
 Injection volume- 20µl.  
 Channel- SATIN  
 Run time- 7 mins

Sample type- Organic solution  
 Date acquired- 23/3/08 8:47am  
 Acq method set- HVA  
 Processing method- HVA  
 Date Processed- 23/3/08



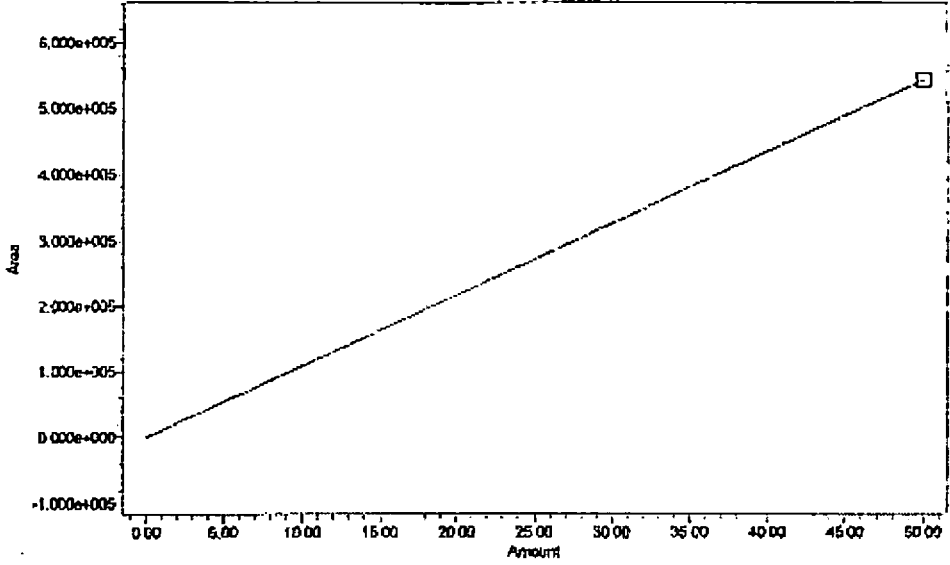
## Peak Results

Name	RT	Area	Height	Amount	Units
1	4.540	11047	1037		
2	HVA 4.961	47343	2242	4.354	mg/ml
3	5.448	12954	1562		
4	5.684	24458	2088		
5	6.241	32435	1810		

Peak: HVA

Name	Level	X Value	Response	Cals. Value	% Deviation	Manual	Ignore
HVA		50.000000	543968.202488	50.000000	0.000	No	No

Calibration Plot



Name: HVA Processing Method: HVA 18 03 08 Fit Type: Linear thru Zero Cal Curve Id: 9334 A: 0.000000e+000 B: 1.097333e+004 C: 0.000000e+000 D: 0.000000e+000 R^2: 1.000000